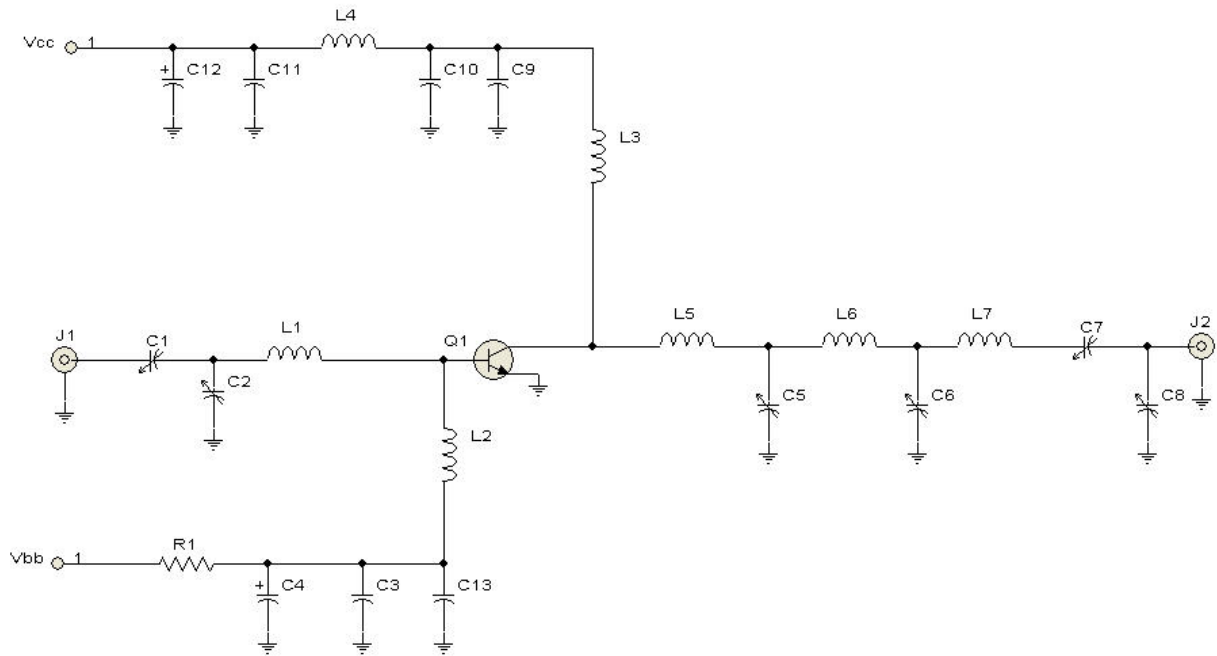


TEST CIRCUIT – CLASS AB, 30 MHz



C1, C2	Arco 429	L1	3 Turns, 0.5" ID, 0.55" long, #16 AWG
C3	0.1 μ F, 100V	L2	6 Turns, 0.5" ID, 0.45" long, #16 AWG
C4	470 μ F, 63V	L3, L4	3 Turns, 0.5" ID, 0.25" long, #16 AWG
C5	Arco 4213	L5	1 Turn, .25" wide, 0.5" high, Copper Strap Hair pin
C6	Arco 4617	L6	1 Turn, Loop, 0.75" ID, #16 AWG
C7	Arco 4615	L7	4 Turns, 0.5" ID, 0.675" long, #16 AWG
C8	Arco 469		
C9	0.01 μ F, 100V	R1	47 ohm, 1W resistor
C10	0.1 μ F, 100V		
C11, C13	1000 pF, 1100V		
C11	220 μ F, 63V		