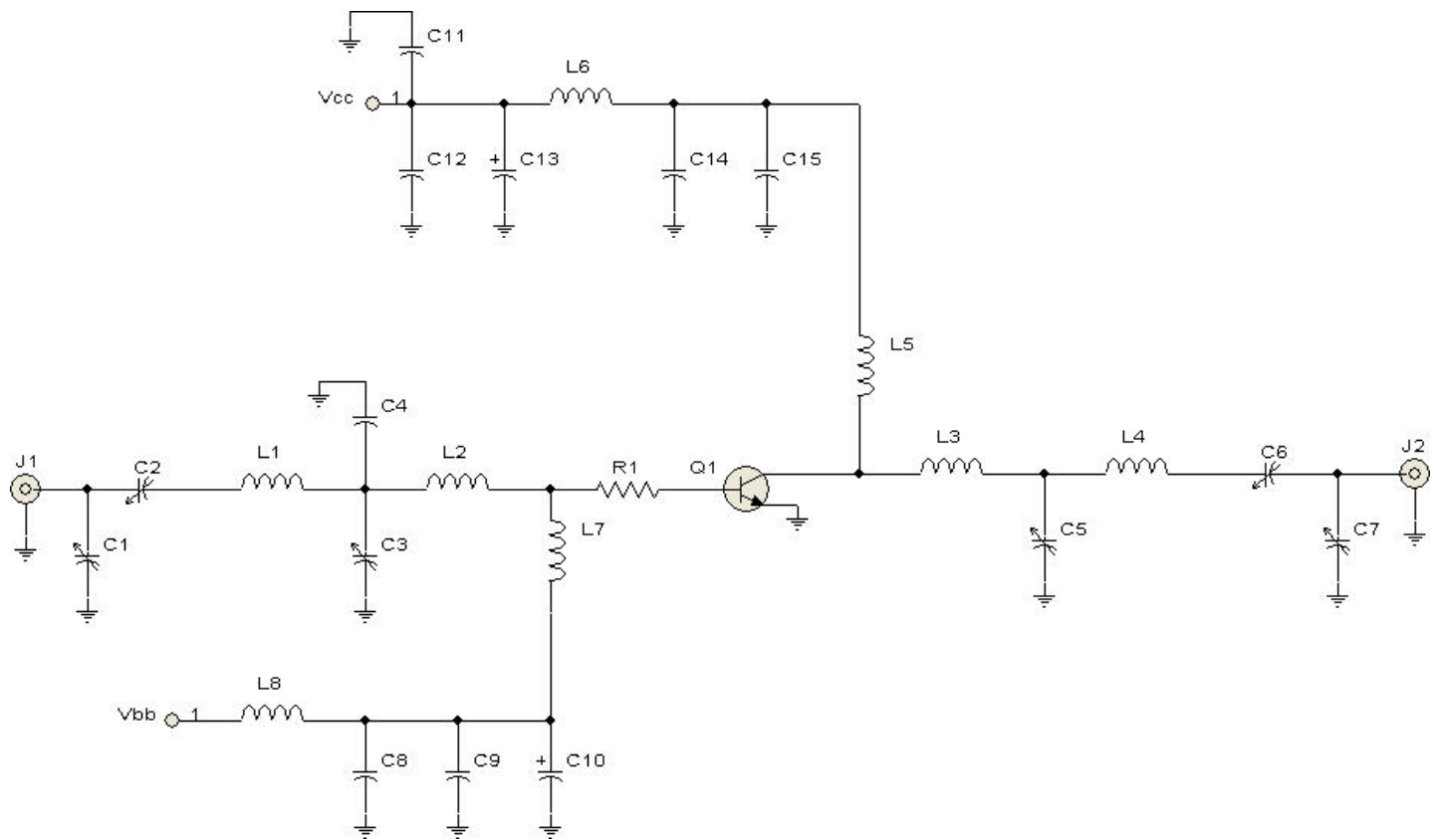


TEST CIRCUIT – CLASS AB, 30 MHz



C1	Arco 427	L1	5 turns, 0.3" ID, 0.6" long, #16 AWG wire
C2	Arco 4611	L2	Hair pin copper foil 0.8" long x 0.2" wide, 0.008" thick
C3	Arco 4615	L3	1 turn, 0.4" ID, 0.3" long, #16 AWG wire
C4	220 pF	L4	6 turns, 0.3" ID, 1.0" long, #16 AWG wire
C5, C6	Arco 4215	L5	4 turns, 0.5" ID, 1.0" long, #12 AWG wire
C7	Arco 426	L6, L7, L8	RF Choke
C8, C12	0.1 μ F		
C9, C11, C15	1000 pF	R1	0.6 ohm
C10	470 μ F, 40V		
C13	220 μ F, 63V		
C14	0.01 μ F		